



**DEEP CYCLE**  
**SERIES: 5000**  
**MODEL: 2 KS 33P**

**BATTERY ENGINEERING**  
**WWW.ROLLSBATTERY.COM MADE IN CANADA**

**BATTERY TYPE: 2 VOLTS**

**DIMENSIONS:**

<b>LENGTH</b>	392 MM	15 7/16 INCHES
<b>WIDTH</b>	211 MM	8 5/16 INCHES
<b>HEIGHT</b>	630 MM	24 13/16 INCHES

**WEIGHTS:**

<b>WEIGHT DRY</b>	66 KG	145 LBS.
<b>WEIGHT WET</b>	94 KG	208 LBS.

**CONTAINER CONSTRUCTION:**

<b>CONTAINER: (INNER)</b>	POLYPROPYLENE	<b>TERMINALS:</b>	FLAG WITH STAINLESS STEEL NUTS AND BOLTS
<b>COVER: (INNER)</b>	POLYPROPYLENE - HEAT SEALED TO INNER CONTAINER	<b>HANDLES:</b>	MOLDED
<b>CONTAINER: (OUTER)</b>	HIGH DENSITY POLYETHYLENE		
<b>COVER: (OUTER)</b>	HIGH DENSITY POLYETHYLENE SNAP FIT TO OUTER CONTAINER		

**PLATES:**

**POSITIVE PLATE DIMENSION:**

<b>HEIGHT</b>	432 MM	17.000 INCHES
<b>WIDTH</b>	143 MM	5.625 INCHES
<b>THICKNESS</b>	6.99 MM	0.275 INCHES

**NEGATIVE PLATE DIMENSION:**

<b>HEIGHT</b>	432 MM	17.000 INCHES
<b>WIDTH</b>	143 MM	5.625 INCHES
<b>THICKNESS</b>	4.57 MM	0.180 INCHES

**CELLS:** 1      **PLATES/CELL:** 33

POSITIVE PLATE DOUBLE WRAPPED WITH SLYVER ENVELOPED WITH HEAVY DUTY SEPARATOR

**SEPARATOR:**  
**THICKNESS** 3 MM 0.105 INCHES

**INSULATION:**  
**GLASS MAT** 1 MM 0.020 INCHES

**CAPACITY:**

<b>CRANK AMPS:</b>		
<b>COLD (CCA)</b>	0°F / -17.8°C	4952
<b>MARINE (MCA)</b>	32°F / 0°C	6190

**ELECTROLYTE RESERVE:**  
**ABOVE PLATES** 95 MM 3.75 INCHES

**RESERVE CAPACITY:**  
**RC @ 25A** 5922 MINUTES

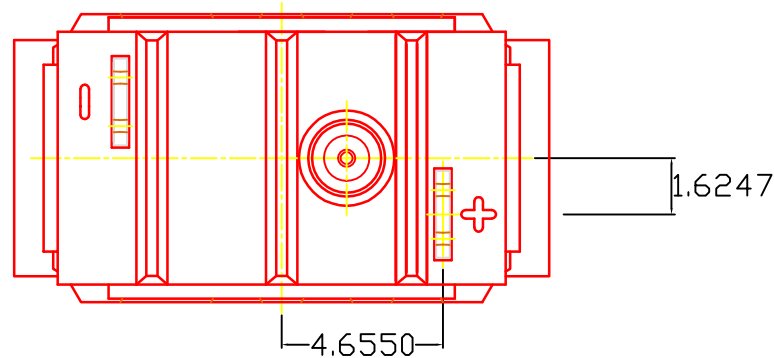
**20 HR RATE: 1766**

	<b>HOURLY RATE</b>	<b>SPECIFIC GRAVITY</b>	<b>CAP / AH</b>	<b>CURRENT / AMPS</b>
CAPACITY @	100 HOUR RATE	1.280 SP. GR.	2490	24.90
CAPACITY @	72 HOUR RATE	1.280 SP. GR.	2349	32.62
CAPACITY @	50 HOUR RATE	1.280 SP. GR.	2172	43.44
CAPACITY @	24 HOUR RATE	1.280 SP. GR.	1837	76.5
<b>CAPACITY @</b>	<b>20 HOUR RATE</b>	<b>1.280 SP. GR.</b>	<b>1766</b>	<b>88.3</b>
CAPACITY @	15 HOUR RATE	1.280 SP. GR.	1642	109.5
CAPACITY @	12 HOUR RATE	1.280 SP. GR.	1536	128.0
CAPACITY @	10 HOUR RATE	1.280 SP. GR.	1466	146.6
CAPACITY @	8 HOUR RATE	1.280 SP. GR.	1377	172.2
CAPACITY @	6 HOUR RATE	1.280 SP. GR.	1254	209.0
CAPACITY @	5 HOUR RATE	1.280 SP. GR.	1183	237
CAPACITY @	4 HOUR RATE	1.280 SP. GR.	1095	274
CAPACITY @	3 HOUR RATE	1.280 SP. GR.	989	330
CAPACITY @	2 HOUR RATE	1.280 SP. GR.	848	424
CAPACITY @	1 HOUR RATE	1.280 SP. GR.	600	600



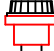
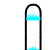
1 STATION RD SPRINGHILL, NOVA SCOTIA CANADA B0M 1X0 1.800.681.9914

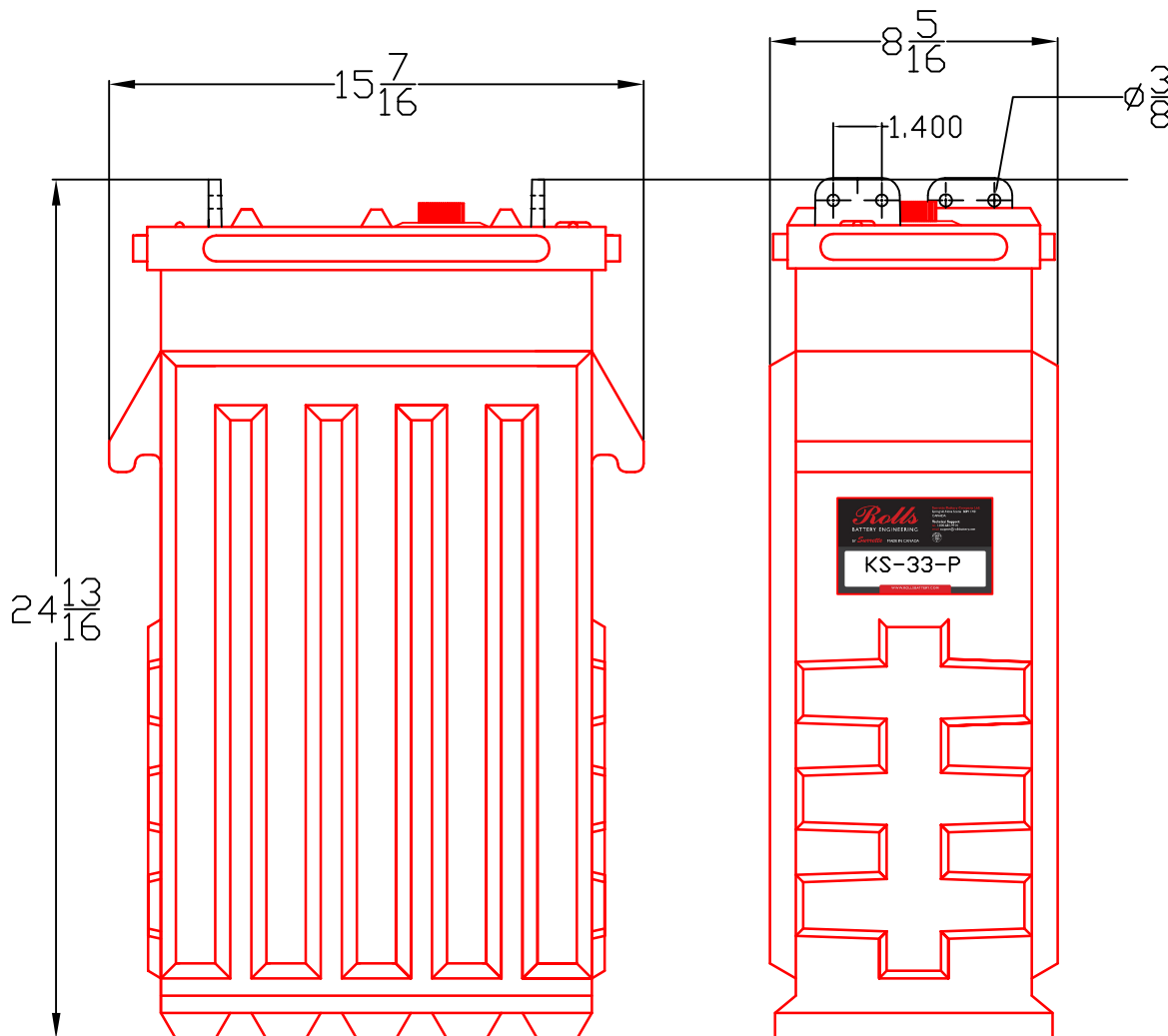
REV.2  
 Jan-10  
 2 KS 33P



PART NUMBER: 2-KS-33P  
 WEIGHT WET: 208 LB/ 94 KG  
 WEIGHT DRY: 145 LB/ 66 KG  
 CAPACITY: 1,766 AH 20 HR  
 VOLTAGE: 2 V

OVERALL DIMS: 15 $\frac{7}{16}$ " X 8 $\frac{5}{16}$ " X 24 $\frac{13}{16}$ "

-  MAX HT WITH OPTIONAL HYDROCAPS 25  $\frac{1}{2}$ "
-  MAX HT WITH OPTIONAL LEVEL INDICATOR 26  $\frac{5}{16}$ "



**Rolls**  
BATTERY ENGINEERING

TITLE: 2 KS 33P

DESCRIPTION:  
2V / 1 CELL 33 PLATE

CONTACT INFO:  
 WEB: WWW.ROLLSBATTERY.COM  
 E-MAIL: SALES@ROLLSBATTERY.COM  
 PHONE: 1-800-681-9914

SCALE: 1" = 6"  
8.5" X 11" JPEG:  
NOT TO SCALE

DATE: JAN-2010 REVISION REV 2.0

DRAWING NO.: DWG 066, BD2KS33P