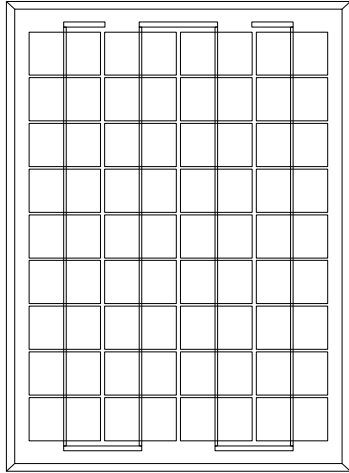


VLS-10W Panels Specifications



Laminate: Glass /EVA / TPT (tedlar/pet/tedlar) or TPE

Front Side: High-transmission 3.2mm tempered glass

Back Side: TPT /TPE

Frame: Clear anodized aluminum frame

Output cable: #18-2x15'

Module Type	Pm(Wp)±10%	Vmpp(V)	Imp(A)	Voc(V)	Isc(A)	Module size
VLS-10W	10	17.1	0.58	21.4	0.65	360*270*35mm 14.2"*10.6*1.38"

Operation Temperature Range: - 40°C ~ 85°C

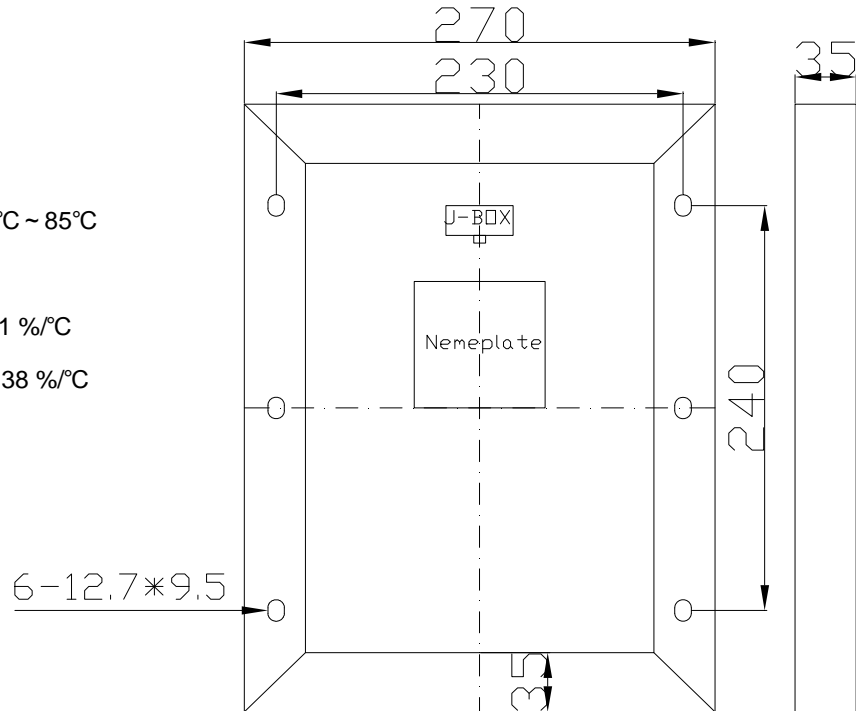
NOCT: 48°C±3°C

Temperature coefficients of Im: + 0.1 %/°C

Temperature coefficients of Vm: - 0.38 %/°C

Maximum System Voltage: DC715V

STC: 1000W/m² , 25°C , AM1.5



All the data of this sheet are subjected to change without notice.