

## Discover AES Lithium Battery RS232 Battery Discharge Indicator (Fully Featured)

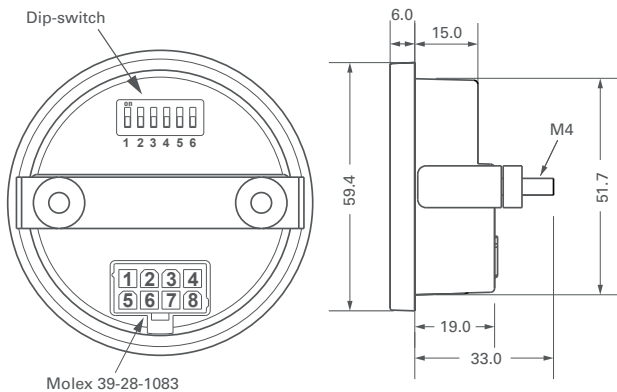
The discharge curve of the Discover Advanced Energy Systems (AES) Lithium batteries are very flat, and 80 percent of the stored energy remains in the flat voltage profile. While this characteristic is desirable as an energy source, it presents a challenge for standard voltage-based fuel gauging as it can only indicate full charge and low charge; the important middle section cannot be estimated accurately.

To solve the problem and offer accurate fuel gage and State of Charge indicators, Discover introduced a series of AES compatible accessories. The 950-0003 is a fully featured Battery Discharge Indicator (BDI) that communicates with AES batteries and allows for visualization of the battery's State of Charge, Voltage, Current, Charge and Discharge Amp Hours, and Equipment Run Hours. The indicator is housed in a standard 52mm circular package requiring limited installed time and equipment.

### Functionality

State of Charge | Voltage | Current | Charge & Discharge Amp Hours | Equipment Run Hours | Low Voltage Disconnect

### MECHANICAL DRAWINGS

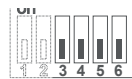


Units in mm

### DIP SWITCH



1	2	Nominal Battery Voltage
Off	Off	12 V
Off	On	24 V
On	Off	36 V
On	On	48 V

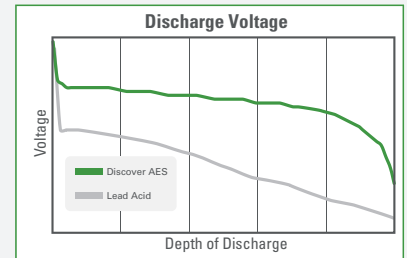


1	2	3	4
Not assigned			

### COMPATIBLE BATTERIES

- Discover Advanced Energy Systems
- 15-24-1000
  - 15-36-1000

### DISCOVER AES VS. LEAD ACID DISCHARGE CURVE

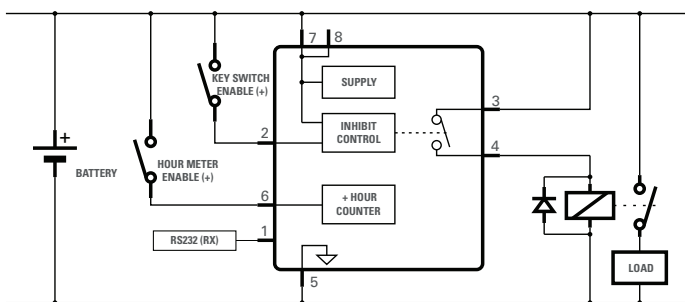


Discover AES batteries have a flat and stable discharge curve, which can not be accurately monitored by a voltage based SOC indicator. For accurate fuel gage and SOC an AES compatible Battery Discharge Indicator is necessary.

### FEATURES

- Battery voltage of 12/24/36/48 V selected with dip-switch
- Relay control device with normally open contact (4A@12/24V - 2A@36/48V)
- Digital 6 digit hour-counter with precision of 1/10h
- 9 bar battery's fuel gage and SOC indicator (with memory)
- Inhibit management
- Illuminated display
- Protection against reverse polarity
- Power consumption in stand-by mode (no commands active and backlight): 3.6mA@12V; 2.5mA@24V; 2.3mA@36V; 2.2mA@48V
- Protection IP30 (frontal IP65)
- Fastening with U-bolt and M4 nuts
- ABS box

### ELECTRICAL DRAWINGS



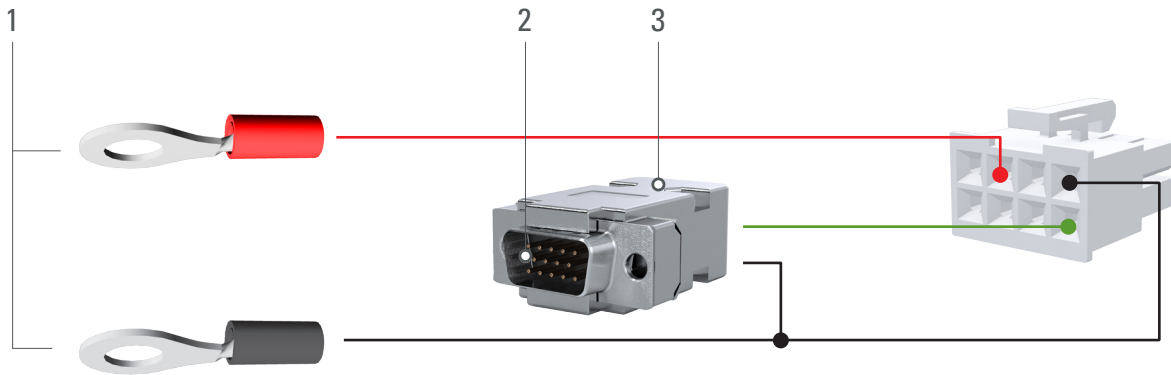
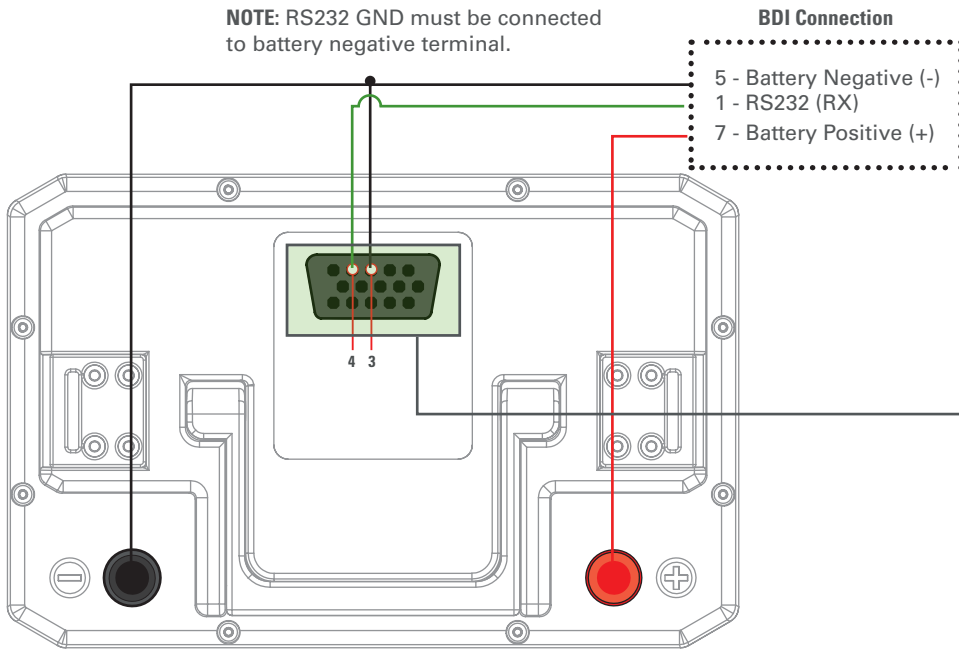
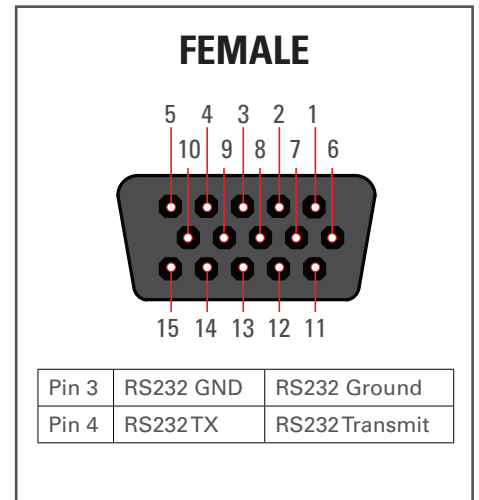
### PIN ASSIGNMENTS

Molex mating connector 39-01-2080

PIN	Function
1	RS232 (RX)
2	Key Switch Enable (+)
3	Common Relay Contact
4	N.O. Relay Contact
5	Battery Negative
6	Hour Meter Enable (+)
7	Battery Positive
8	N.C.



## Battery Discharge Indicator Connection



Ref#	Description	Quantity	Digi-Key Part #
1	Ring terminal 1/4"	2	-
2	D-Sub Header 15 Positioning	1	609-4042-ND
3	D-Sub Housing	1	909GME-ND